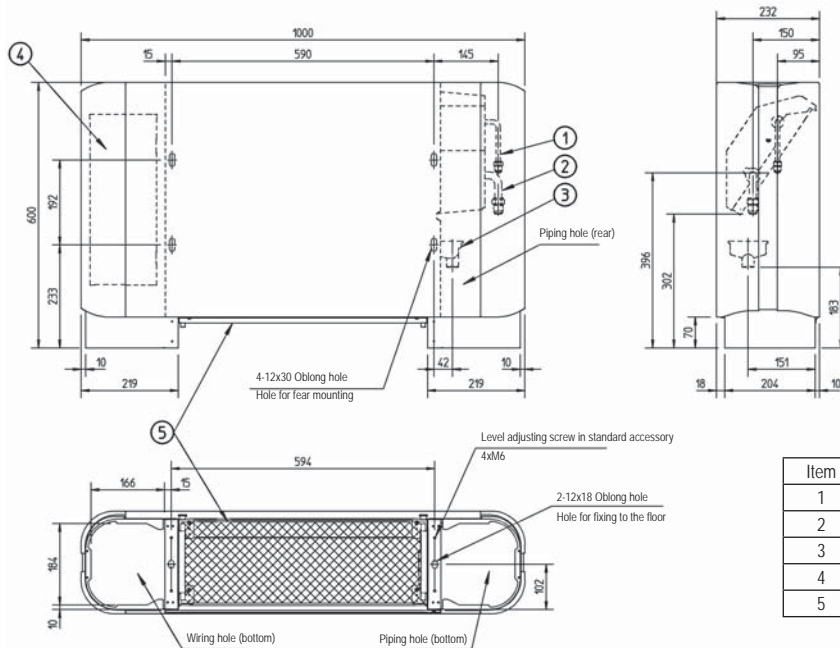


Required installation space



Item	Name	Description
1	Liquid pipe connection	Ø6.4 Flare connection
2	Gas pipe connection	Ø12.7 Flare connection
3	Drain pipe connection	O.D.Ø21
4	Switch box	
5	Air filter	