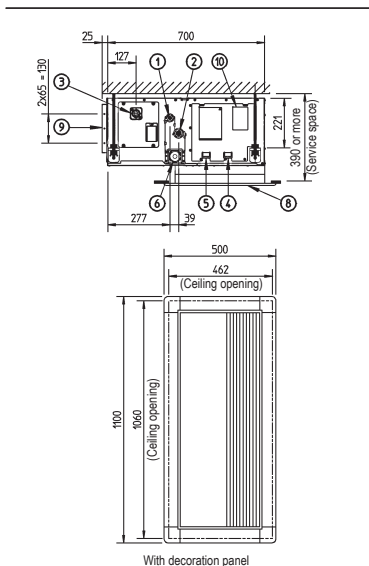


Item	Name	Description
1	Liquid pipe connection	ø 9.52 Flare connection
2	Gas pipe connection	ø 15.90 Flare connection
3	Drain pipe connection	VP25 (OD ø 32, ID ø 25)
4	Remote control wiring connection	-
5	Power supply connection	-
6	Drain hole	VP25 (OD ø 32, ID ø 25)
7	Air filter	-
8	Air suction side	-
9	Air discharge side	-
10	Nameplate	-



NOTES

1. Refer to the outlook drawing of optional accessories when installing them.
2. The required ceiling depth varies according to the configuration of the specific system.
3. For maintenance of the air filter, it is necessary to provide a service access panel.
4. Optional decoration panel: BYBS71DJW1 (light ivory white 10Y9/0.5)